

THIS DRAWING IS UNPUBLISHED.

RELEASED FOR PUBLICATION

© COPYRIGHT - By -

ALL RIGHTS RESERVED.

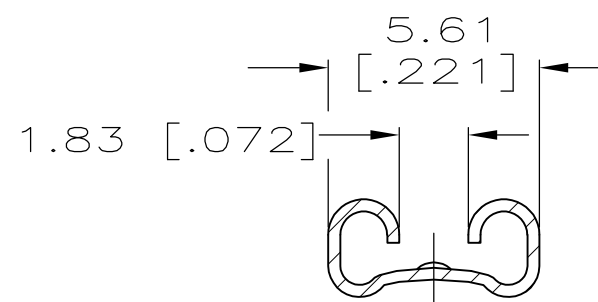
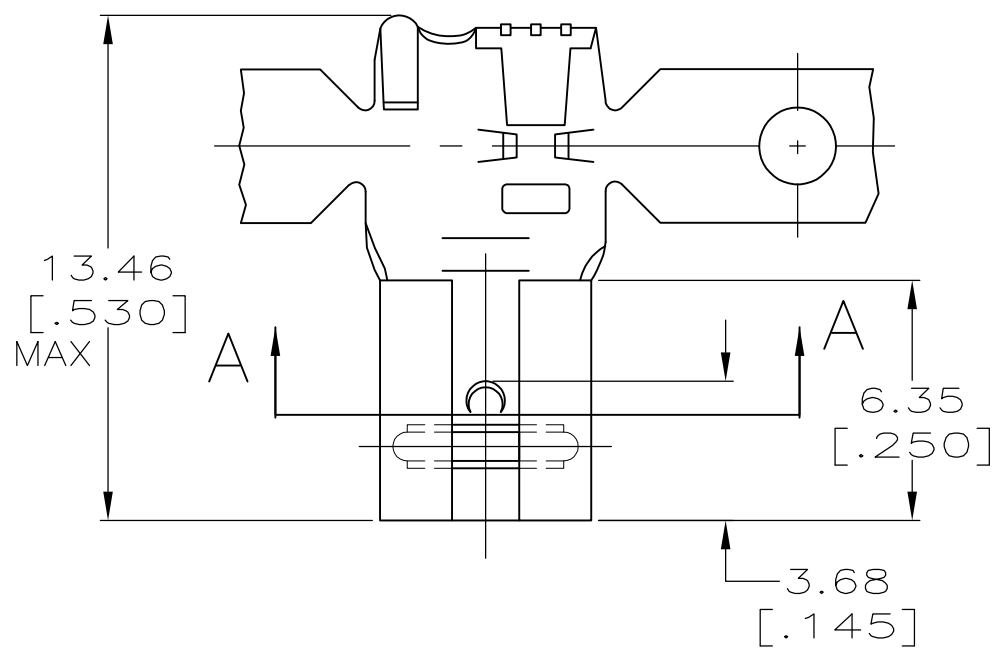
LOC
AF

DIST
50

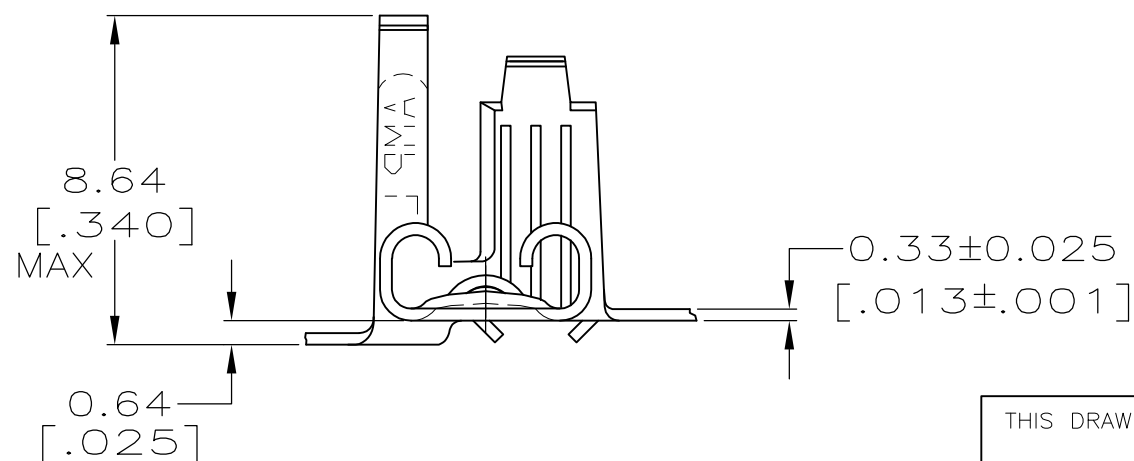
REVISIONS

P	LTR	DESCRIPTION	DATE	DWN	APVD
	F	REVISED PER ECR-12-013518	23NOV2012	KH	PD

- 1 CONTINUOUS STRIP ON REELS.
- 2 ACCEPTS [#20-#16] AWG. WIRE SIZE
- 3 INSULATION RANGE TO BE 2.79-4.32 [.110-.170] DIA
- 4 FEED IS 16.38±0.13 [.645±.005]
- 5 MATING TAB THK IS 0.81±0.025 [.032±.001].
- △ 6 PREPRODUCTION - FASR REQUIRED



SECTION A-A



TIN	H04 PHOS BRONZE	△ 6 63748-3
TIN	BRASS	63748-2
--	BRASS	63748-1
FINISH	MATERIAL	PART NO.

THIS DRAWING IS A CONTROLLED DOCUMENT.		DWN JR RUTH 7/27/93	TE Connectivity		
DIMENSIONS: mm [INCHES]		CHK MS FEHER 7/27/93			
TOLERANCES UNLESS OTHERWISE SPECIFIED:		APVD R KUZO 7/27/93	RECEPTACLE, LIF, FASTON, FLAG, 4.75 [.187] SERIES		
0 PLC ± - 1 PLC ± - 2 PLC ± 0.25 [.010] 3 PLC ± - 4 PLC ± - ANGLES ± -		PRODUCT SPEC -	APPLICATION SPEC -		
MATERIAL SEE TABLE	FINISH SEE TABLE	WEIGHT -	SIZE A3	CAGE CODE 00779	DRAWING NO C-63748
CUSTOMER DRAWING			SCALE 5:1	SHEET 1 OF 1	REV F